

Termination Series


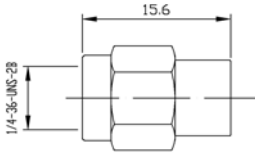

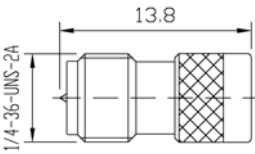

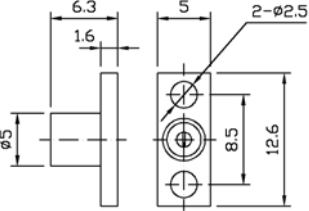

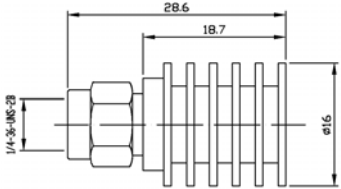

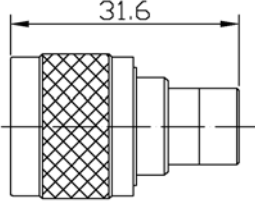
同轴终端负载用于同轴传输系统的末端连接，一般用于射频信号传输的系统测试中，具有与传输线适配的特征阻抗，是系统中的能量吸收元件，金润信可提供各种类型连接器的标准终端负载，特征阻抗为 50Ω 或 75Ω，具有频率范围宽、低损耗和尺寸小等优良特性。

The coaxial terminations use in the terminal connection of the coaxial transmission system, usually in the system test of radio-frequency signal transmission, have adaptive characteristic impedance with the transmission line, are the energy absorption parts in the system. Jinrunxin can provide each kind of type standard termination of connectors and the characteristic impedance is 50Ω or 75Ω. They have the good characteristics of wide frequency ranges, low losses and small sizes and so on.

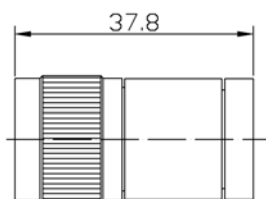


RF Coaxial Terminations

同轴负载系列

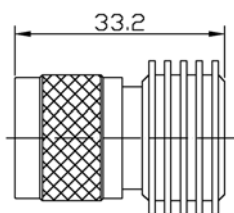
		型号	特性 阻抗	频率 范围	电压 驻波比	功率 容量
		SMA-50JR	50 Ω	0~18GHz	≤1.30	0.5W
SMA-50JR-0.5W						
		RP.SMA-KRC	50 Ω	0~18GHz	≤1.30	0.5W
RP.SMA-KRC-0.5W						
		RC-50KFD85	50 Ω	0~18GHz	≤1.30	0.5W
RC-50KFD85-0.5W						
		SMA-50JR-2W	50 Ω	0~18GHz	≤1.30	2W
SMA-50JR-2W						
		N-50JR	50 Ω	0~8GHz	≤1.30	1W
N-50JR-1W						

		型号	特性 阻抗	频率 范围	电压 驻波比	功率 容量
--	--	----	----------	----------	-----------	----------



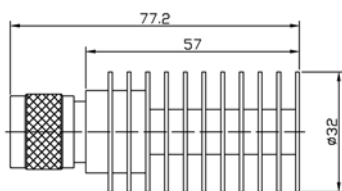
N-50JR-2W

N-50JR-2W	50 Ω	0~8GHz	≤1.30	2W
-----------	------	--------	-------	----



N-50JR-5W

N-50JR-5W	50 Ω	0~8GHz	≤1.30	5W
-----------	------	--------	-------	----



N-50JR-15W

N-50JR-15W	50 Ω	0~8GHz	≤1.30	15W
------------	------	--------	-------	-----